



Type : SLR

FEATURES

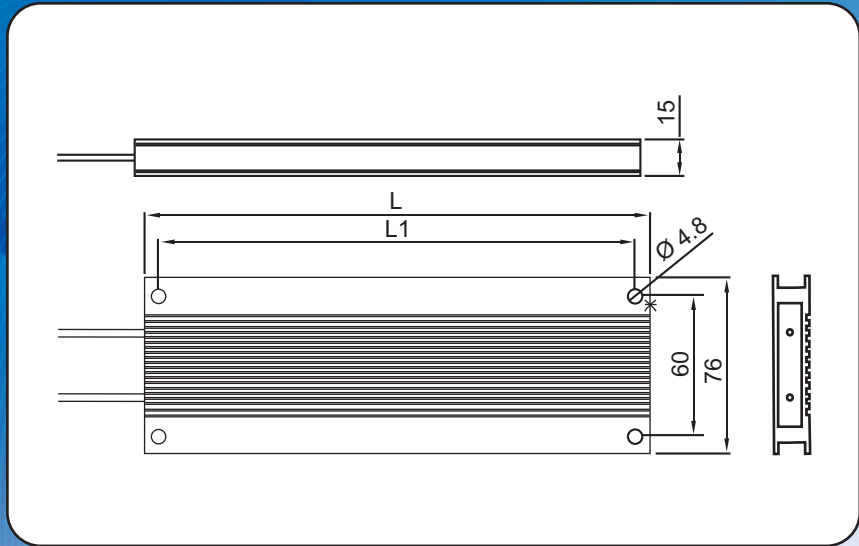
- Low cost & Light Weight
- Non-Inductive Type Available
- Good Heat Conduction
- Excellent Space Factor For Installation
- Higher or Lower Ohmic Values available
- Modules with Thermal Switch available

APPLICATIONS

- Charging Resistor
- Dynamic Braking Resistor
- Snubber Resistors
- Drives, Elevators, cranes, Hoists, CNC Machines
- Electric Cars and Power Source of Industrial Instruments

CHARACTERISTICS

- | | |
|-----------------------|--------------------------------------------------|
| Standard Tolerance | ±10%, closer tolerance available |
| Temperature Range | -55°C to + 275°C max.@ 20°C ambient |
| Insulation Resistance | >20MΩ |
| Dielectric Strength | Available Options: 2000 VAC, 3000 VAC |
| Temp. Coefficient | ±50PPM/°C to 260PPM/°C |
| Short Term Overload | 10 x Wattage rating for 5 seconds |
| Derating | Derate linearly at 275°C |
| Teflon wire terminals | 300mm. Longer lengths upto 1.25 mtrs. Available. |

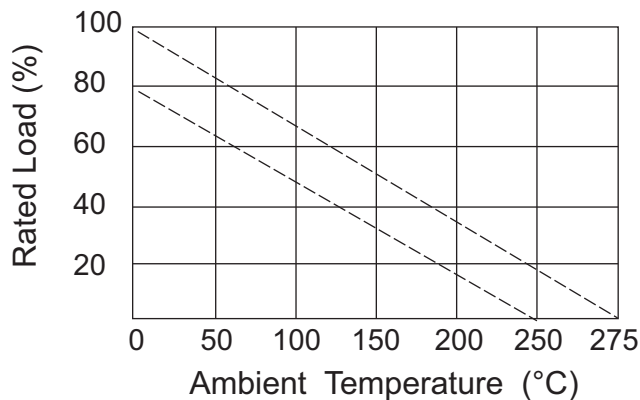


SLR Series

Cat. No.	Watt @20°C w/o heatsink	1 Sec. Watt	10 Sec. Watt	40 Sec. Watt	Resistance Range(Ω)	L (mm)	L1 (mm)	Weight (gm)
SLR 100	100	2500	700	250	10W-500W	110	98	240
SLR 150	125	4700	1200	425	10W-500W	166	154	375
SLR 200	150	6500	1600	550	10W-500W	216	204	525
SLR 250	200	8000	2200	750	10W-500W	270	258	650
SLR 300	250	10000	2500	900	10W-500W	320	308	810
SLR 400	300	14000	4300	1100	10W-500W	420	408	1070
SLR 500	400	17000	5000	1400	10W-500W	520	508	1250

The Above details have been calculated for a duty cycle of 120 sec. without using heatsink at surface temp. of 275°C

DERATING CURVE



Temperature rise at 20°C ambient for 100W-400W is 275°C plus ambient
Wattage can be increased by mounting resistor on Heat Sink.
Above 275°C derating is required

Ex. SLRN500 100R K 1005 where N indicates non-inductive, R indicates ohms,
K indicates 10% tolerance which may change, 1005 indicates month & year of manufacture.